

Pneutorque® PTME-72 Series Stall Models

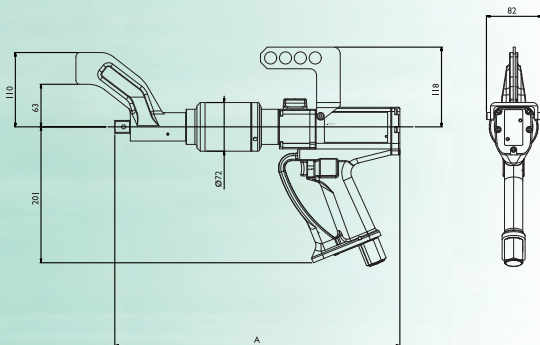
The PTME-72 series of tools was designed to meet the needs of the commercial vehicle wheel market.

The integrated reaction foot is designed specifically to reach recessed wheel bolts and the 72mm diameter gearbox is selected to cope with the high frequency of use demanded by busy tyre shops.

- Fast - 1000 N.m version has a free speed of 140 rpm for rapid bolt run-down time.
- Light weight, for ease of handling.
- Quiet - less than 85 db(A) when under load.
- Non-impacting - low vibration levels make these tools comfortable and safe to use.
- Square drive is quickly and easily replaceable.
- On Bi-directional tools, the direction control knob is locked while the tool is running to prevent accidental damage to the gearbox.
- 'Soft Start' trigger control aids socket location and allows gradual and safe reaction location.
- For safety, gearbox can rotate independently from the handle so that reaction forces are not transmitted back to the operator.
- Internal and External Control models also available.



PTME-72-1000-B



1000 and 2000 N.m Tools - Stall

Model	Direction of Operation	Square Drive	Part No.	Range		Free Speed †	Length 'A'	Tool Weight	Reaction Weight
				N.m	lbf.ft				
PTME-72-1000-F	Forward only	¾	18140.F06	200-1000	147-738	140	378.9	6.9	n/a
PTME-72-1000-B	Bi-directional	¾	18140.B06	200-1000	147-738	140	428.4	7.2	n/a
PTME-72-1000-B	Bi-directional	1	18149.B08	200-1000	147-738	140	434.6	7.2	n/a
PTME-72-2000-F	Forward only	1	18141.F08	400-2000	295-1475	70	437.2	7.4	n/a
PTME-72-2000-B	Bi-directional	1	18141.B08	400-2000	295-1475	70	486.9	7.7	n/a

† Speed at maximum air pressure.